



Solid State Devices, Inc.

14701 Firestone Blvd * La Mirada, CA 90638
 Phone: (562) 404-7855 * Fax: (562) 404-1773
 ssdi@ssdi-power.com * www.ssdi-power.com

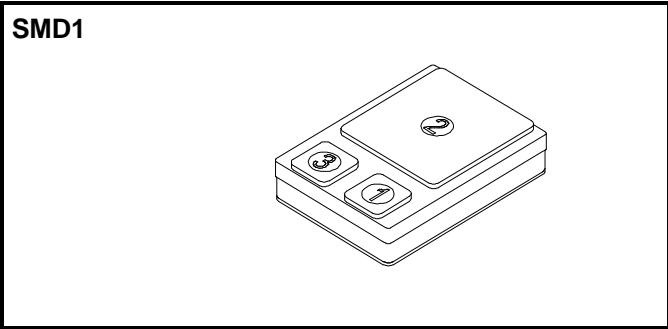
DESIGNER'S DATA SHEET

Features:

- Hyper Fast Recovery: 35nsec typical
- High Surge Rating
- Low Reverse Leakage Current
- Low Junction Capacitance
- Hermetically Sealed Surface Mount Power Package
- Gold Eutectic Die Attach Available
- Ultrasonic Aluminum Wire Bonds
- TX, TXV, and Space Level Screening Available.

**SDR950S1
 THRU
 SDR952S1**

**60 AMP
 100-200 Volts
 35nsec
 Hyper Fast
 Rectifier**



Maximum Ratings		Symbol	Value	Units
Peak Repetitive Reverse and DC Blocking Voltage ^{1/}	SDR950S1	V _{RRM}	100	Volts
	SDR951S1	V _{RWM}	150	
	SDR952S1	V _R	200	
Average Rectified Forward Current (Resistive Load, 60 Hz Sine Wave, T _A = 25°C)		I _o	60	Amps
Peak Surge Current (8.3 ms Pulse, Half Sine Wave, T _A = 25°C) ^{1/}		I _{FSM}	600	Amps
Operating & Storage Temperature		Top & Tstg	-65 to +200	°C
Maximum Thermal Resistance Junction to Case,		R _{qJL}	0.8	°C/W

^{1/} Connect pins 2&3 together



Solid State Devices, Inc.

14701 Firestone Blvd * La Mirada, CA 90638
 Phone: (562) 404-7855 * Fax: (562) 404-1773
 ssdi@ssdi-power.com * www.ssdi-power.com

**SDR950S1
 THRU
 SDR952S1**

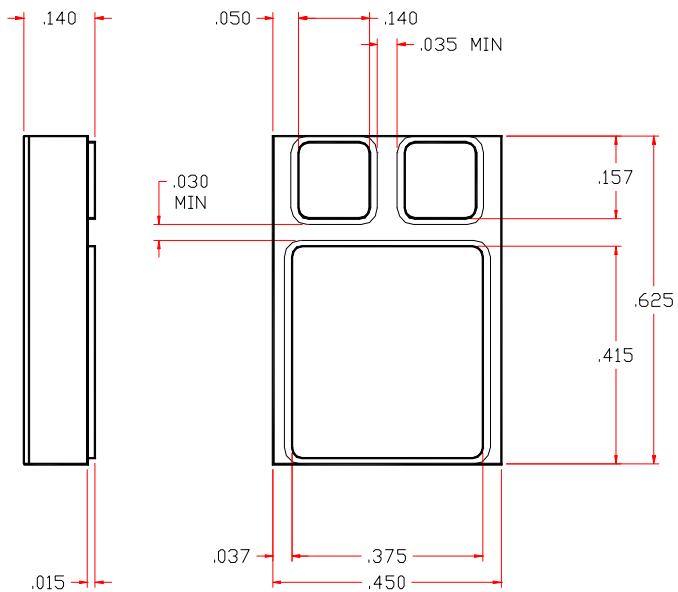
Electrical Characteristics	Symbol	Min	Max	Units
Instantaneous Forward Voltage Drop (IF=25Adc, TA = 25°C, 300 µsec pulse) (IF=50Adc, TA = 25°C, 300 µsec pulse)	V_{F1}	—	0.95 1.05	Volts
Instantaneous Forward Voltage Drop (IF= 50Adc, TA = 100°C, 300 µsec pulse) (IF= 50Adc, TA = -55°C, 300 µsec pulse)	V_{F2}	—	0.95 1.20	Volts
Reverse Leakage Current (Rated V _R , TA = 25°C, 300 µsec pulse minimum)	I_{R1}	—	10	mA
Reverse Leakage Current (Rated V _R , TA = 100°C, 300 µsec pulse minimum)	I_{R2}	—	1	mA
Junction Capacitance (V _R = 10 Vdc, TA = 25°C, f = 1MHz)	C_J	—	950	pF
Reverse Recovery Time (I _F = 0.5A, I _R = 1A, I _{RR} = 0.25A, TA = 25°C)	t_{rr}	—	45	nsec

CASE OUTLINE: SMD1

Pin 1: CATHODE

Pin 2: ANODE

Pin 3: ANODE



<p>NOTE: All specifications are subject to change without notification. SCDD's for these devices should be reviewed by SSDI prior to release.</p>	<p>DATA SHEET #: RH0037C</p>	<p>DOC</p>
--	-------------------------------------	-------------------